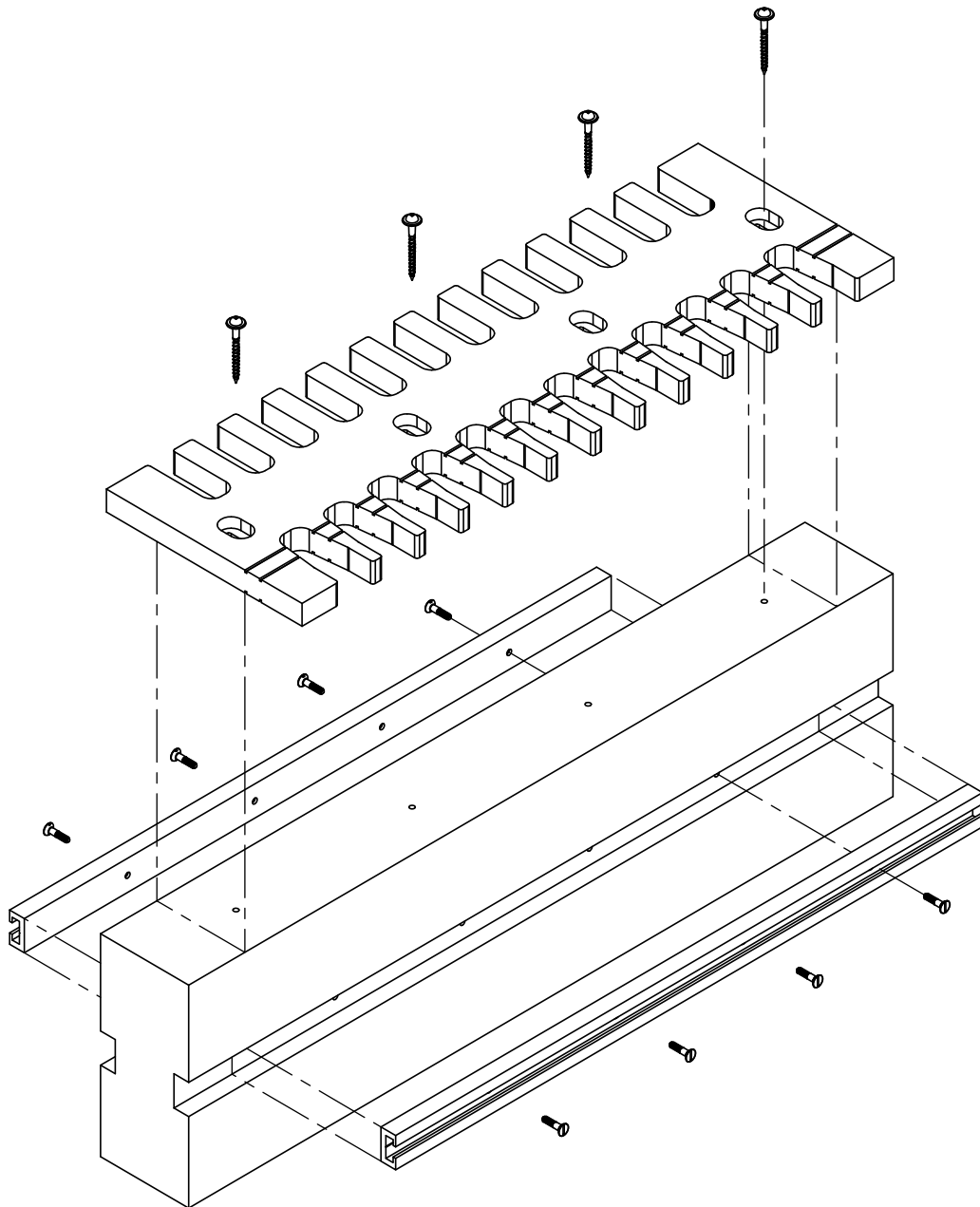




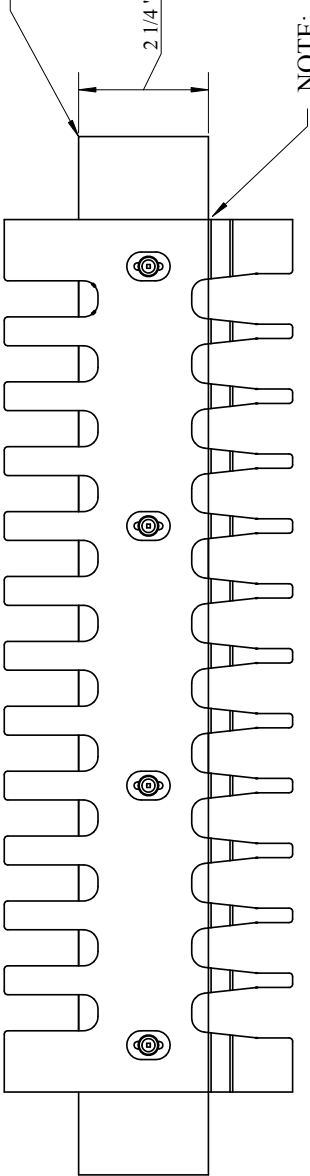
Peachtree 30" Dovetail Mounting Block Instructions



MOUNTING BLOCK

MOUNTING BLOCK is made of 1 1/2" thick stock and 3/4" thick stock glued together and cut to make the block 33" x 4 7/8" x 2 1/4".

2 1/4" (The block MUST be this thickness)

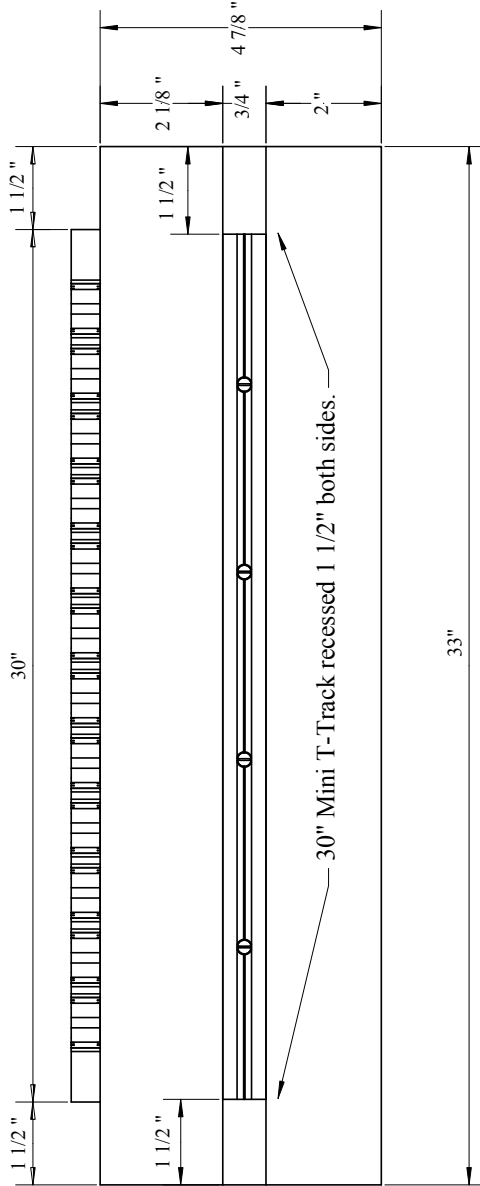


NOTE:

Align inside scribe line to edge of mounting block as shown here.

TOP VIEW

Not to Scale



NOTE:

Rout or dado slot 3/4" wide and 3/8" deep the full length of mounting block on both sides for mini T-Track.

FRONT VIEW

Not to Scale

RIGHT SIDE VIEW